

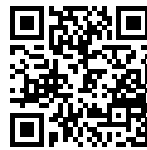
UNIKA 340 GUN METAL SOUS PLAN



Kitchen Sinks

Code: N153 S56

UNIKA R15 BOWL 340x400 SOUSPLAN GUNMETAL



DETAILS

Coloring Gun Metal

Edge/Installation Type Undermount

Finish PVD

Material AISI 304 stainless steel

Texture Foster brushed

Base 45 cm

Dimensions 380x440 mm

Standard fittings Fixing hooks, gasket, drain, overflow and siphon, boxed packing

Mixer holes No standard holes

Built-in hole [View technical data sheet](#)

Drainer No

Width 38 cm

Bowl dimension 340x400mm

Number of bowls 1 bowl

Waste fitting 3,5" drain

FEATURES

Gun Metal The Gun Metal finish is obtained by treating steel with a physical process called PVD (Physical Vacuum Deposition) which deposits particles of noble metals on the surface. The result is a unique and refined aesthetic effect, and an improvement of the mechanical properties of the steel which is more resistant to impact and scratches.

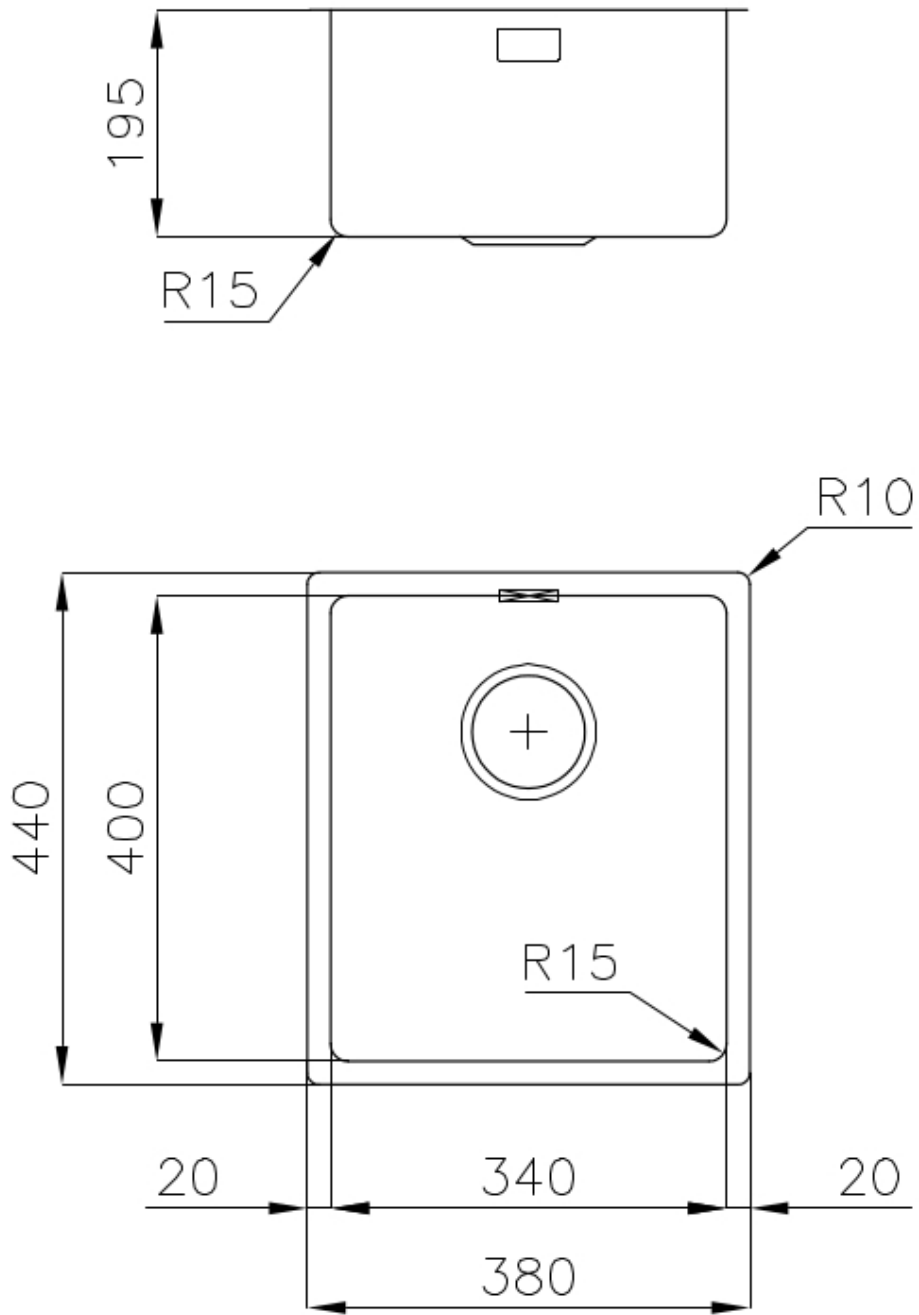
High thickness 1mm thick steel. A significant thickness, which guarantees the maximum sturdiness and durability.

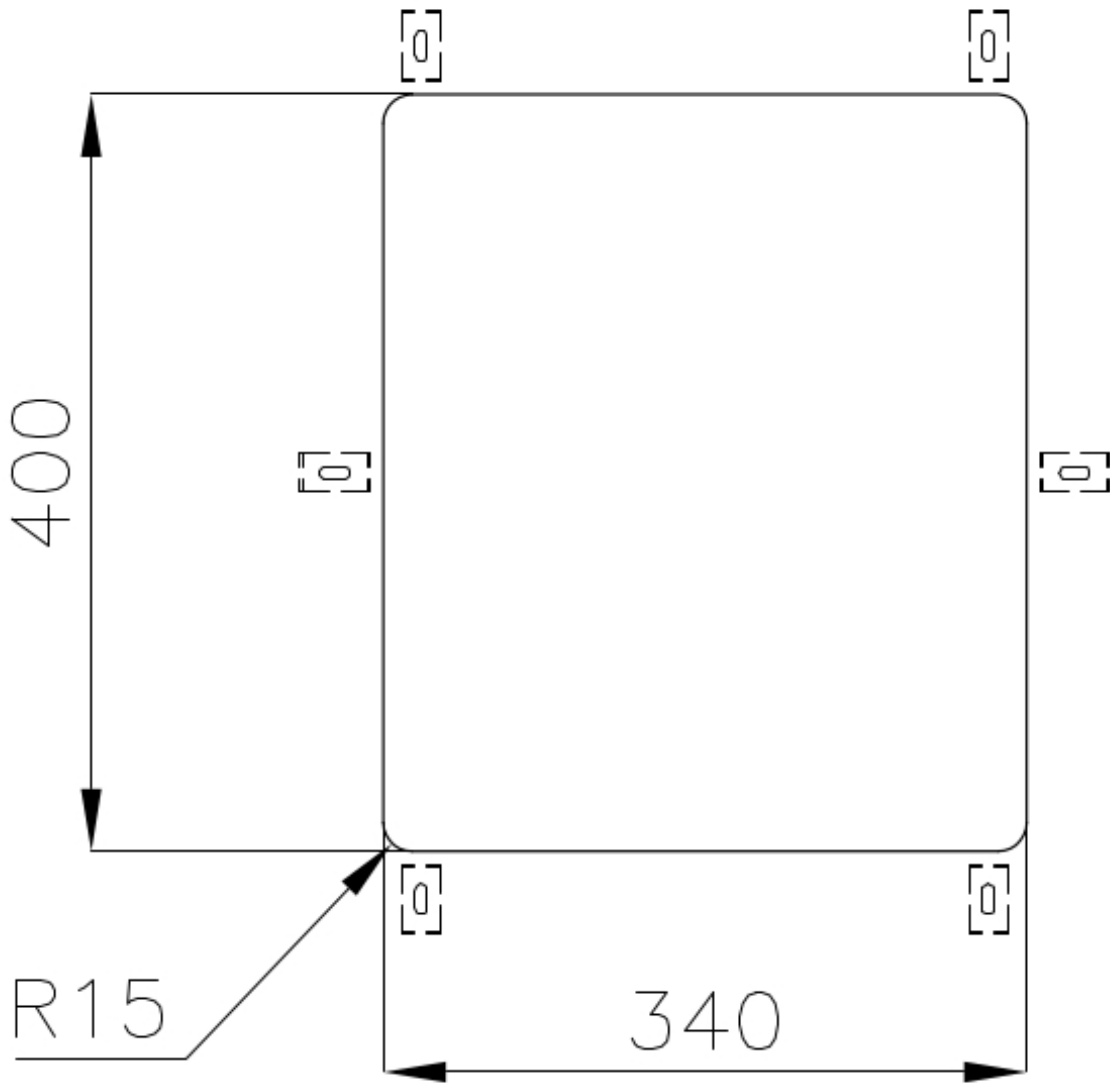
Basket 3,5" waste fitting The drain is equipped with a large 3.5" drain, with the practical basket cap that prevents the discharge of solid parts.

Perimetral overflow The overflow is always a security on the Foster sinks that prevents the overflow of water in case of oversights. The perimeter drain solution improves aesthetics thanks to its square and essential shape.

Small radius Bowls with squared shapes with a modern design and an increased capacity, for a minimal aesthetics connected with an extreme practicality.

TECHNICAL DATA





Cut out size
Dimensioni per foratura top

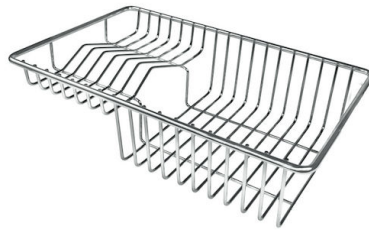
GALLERY



OPTIONAL ACCESSORIES



CUVETTE PLASTIQUE BLANCHE
A153 A00



GRILLE POR.ASSIETTES INOX
mm214x379
A100 C03
* only in combination with the accessory
A644 A01



PANIER INOX POUR CUVE 34x40
CM
A611 F00



PLANCHE DE DECOUPE CRYSTAL
23x41 CM
A631 C00



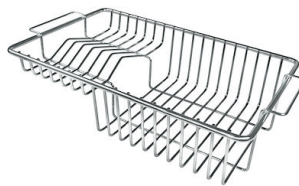
PLANCHE DE DECOUPE DOUBLE
HDPE
A644 A01



PLANCHE DE DECOUPE HDPE
27x42 CM
A657 F01



CUVETTE INOX PERFOREE
A151 F00
* only in combination with the accessory
A644 A01



GRILLE PORTE-ASSIETTES INOX
250x425
A100 B01



KIT RÂPES ET PLANCHE DE
DECOUPE HDPE
A159 A01
* only in combination with the accessory
A644 A01

RECOMMENDED PAIRINGS



INCISO GUN METAL
R424 S56



VERONA GUN METAL
R497 S56

OPTIONAL AUTOMATIC WASTE FITTINGS



VIDAGE FADE PUSH GUN METAL
A407 A20